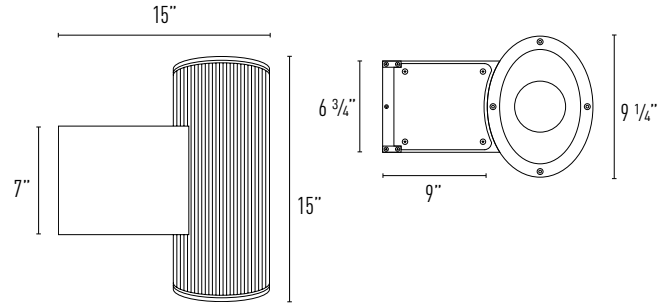


IVWC10LED

Die-Cast Wall Mount UP/Down Light Cylinder LED

JOB NAME		CATALOG NUMBER	
NOTES		TYPE	



Order Matrix | Example : IVWC10LED100030-FL60-FL40W

A	B	C	D	E	F
A	Series		D	Up Light Reflector	
IVWC10LED	Up/Downlight LED Cylinder		-SP20	20° Spot Reflector	
			-FL40	40° Flood Reflector	
			-FL60	60° Wide Flood Reflector	
B	Lumens		E	Down Light Reflector	
1000	1000lm Up / 1000lm Down		-SP20	20° Spot Reflector	
1300	1300lm Up / 1300lm Down		-FL40	40° Flood Reflector	
			-FL60	60° Wide Flood Reflector	
C	Color Temperature		F	Finish	
30	3000K		W	White	
40	4000K		B	Black	
			BZ	Bronze	

Description:

Oval up/downlight cylinder features an extruded aluminum housing with die cast ballast housing, internal aluminum reflector, and clear tempered glass lenses.

Features:

- Extruded aluminum housing
- Die cast ballast housing
- Internal aluminum reflector
- Nine-stage powder coat process
- Unique wall mounting bracket for quick & easy installation.
- Hinged ballast compartment with safety cable

Xicato LED Light Engine:

- 3000/4000K color temperature
- Color Consistency: CCT +/- 50K, Duv +/- .001, 2 step MacAdam (2 SDCM) along BBL.
- Color Rendering Index Consistency: +3, -0pts.
- Color Rendering Index: Ra ≥ 80.
- Module Life: L70 50,000 hrs.
- IP66

Wattage / Lumens Output:

- (2) 1000 lm LED Light Engine:
 - Nominal input power = 29.2W
 - Module delivered lighting output = 1000lm each
- (2) 1300 lm LED Light Engine:
 - Nominal input power = 42.8W
 - Module delivered lighting output = 1300lm each

Finish:

Available in white (W), black (B) and bronze (BZ). Custom finishes available by special order.

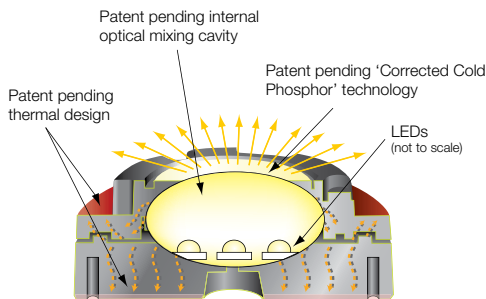
Electrical System:

- 120V/277V 50/60Hz input
- 1000lm: 700mA constant current output
- 1300lm: 1040mA constant current output

Listing:

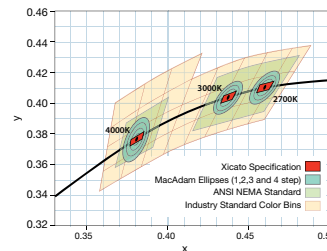
- ETL listed for wet locations.
- ETL listed to US and Canadian standards.

POWERED BY XICATO



Corrected Cold Phosphor Technology™

'Corrected Cold Phosphor Technology' tunes the separated phosphor mix to counter any differences in wavelengths of the LEDs in the modules. This ensures a perfectly uniform, perfectly natural (centred on Black Body Locus) light that is produced to an industry best sustained color point stability (to 1 x 2 MacAdam ellipses, part to part).



No compromise in consistent color appearance

Xicato modules are available in a range of Color Temperatures: 3000K and 4000K. Each has an exact Black Body Locus target for perfect natural white light. Each has a very tight color point conformity, with a 1 x 2 MacAdam ellipse tolerance, outperforming the ANSI C78.377 standard which equates to a 7 ellipse tolerance. LED binning becomes a thing of the past.

