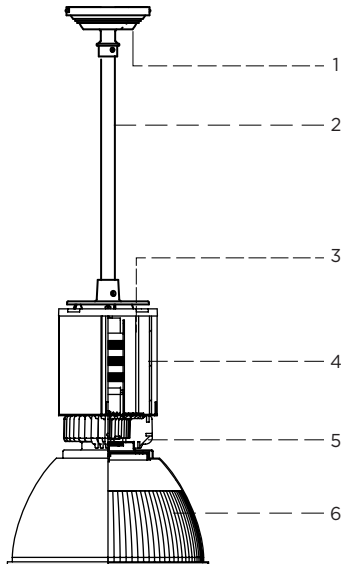


TYPE: _____ QUANTITY: _____ PROJECT: _____

CATALOG NUMBER:

FIXTURE WATTAGE VOLTAGE FINISH OPTION OPTION OPTION OPTION

PR1250
PR1255



Ceiling pendant luminaire with a choice of clear acrylic prismatic diffuser or an anodized aluminum reflector with two part inner surface treatment. Upper etched surface combined with multi faceted specular lower part. Optional attachments and accessories are available to customize and adapt each luminaire to particular design requirements.



- 1- Standard heavy duty 45° hang straight swivel, with 5" Dia. (127) canopy and universal mounting plate.
- 2- 7/8" Dia. (22) X36" long (900) suspension stem. Precut factory stems are available on request. (Specify STM with desired length)
- 3- Cast aluminum removable top cover for quick maintenance.
- 4- Extruded aluminum driver housing module with a fine linear stria pattern.
- 5- LED heat sink specifically designed to optimize heat dissipation.
- 6- **PR1250:** Clear acrylic prismatic diffuser.
PR1255: Aluminum reflector.
Inner surface: multi faceted specular anodized.
Exterior surface: Satin anodized natural aluminum.
Alternate exterior finish (Option RP2)

MATERIALS

Prisma is composed of an extruded aluminum ballast housing designed to optimize electrical components functionality.

Prisma is available with a choice of two interchangeable reflectors.

- Aluminum reflector designed to optimize light source performance and uniformity.
- Clear prismatic diffuser with a linear peripheral pattern providing general upward illumination with efficient down lighting.
- Ventilated cast aluminum heat sink to optimize heat management and luminaire efficacy.
- Led platform is mechanically secured and easily removable for maintenance or upgrade.

ELECTRICAL

LED driver is 120/277V smart volt (50-60HZ) with a minimum starting temperature of -30°C/-22°F.

Output over voltage, Output over current and output short circuit protection with auto-recovery.

Over temperature protection (110°C)

Standard 4000°K LED platform included. Optional 3000°K

Standard 80CRI. Optional 97 CRI for critical color balance.

FINISH

Five stage preparation process including preheating of cast aluminum parts for air extraction, and environmentally friendly alloy sealant. Polyester powder coating is applied through an electrostatic process and oven cured for long lasting finishes.

MOUNTING

Max.weight: 5.4 Lbs. (2.4)

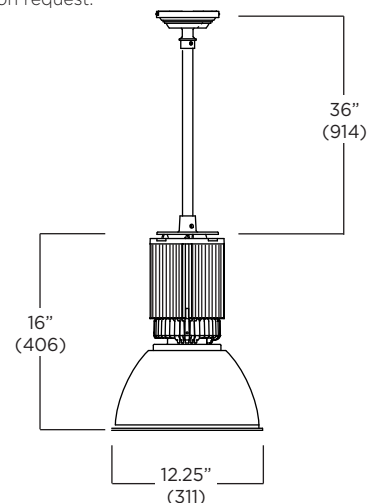
Installation: Mounts over a standard 4" (100) Octagonal electrical box with 3 1/2" (89) C/C mounting holes.

CERTIFICATION

Photometric testing per LM79-2008, LED Light source with LM80 certified testing.

Tested to UL1598 standards and CSA 22.2 #250. ETL listed damp location.

CE certification on request.





PR1250/PR1255

PRISMA 12 - LED

Note: Standard luminaire is supplied with a wide light distribution.
For applications where accent lighting is necessary, an optional narrow light beam is available to create an attractive light level contrast.
Please specify Option NR with catalog number.

LUMINAIRE SELECTION

MODEL#	LED LIGHT SELECTION					VOLTAGE ¹	FINISH
 <input type="checkbox"/> PR1250	SUFFIX	INPUT WATTS	DELIVERED LUMENS	CRI	CCT °K	<input type="checkbox"/> 120V <input type="checkbox"/> 277V	STANDARD COLORS <input type="checkbox"/> WHT Snow white <input type="checkbox"/> BKT Jet black <input type="checkbox"/> BZT Bronze <input type="checkbox"/> MST Matte silver <input type="checkbox"/> GRT Titanium gray <input type="checkbox"/> DGT Gun metal <input type="checkbox"/> CHT Champagne OPTIONAL COLORS <input type="checkbox"/> CS Custom color <input type="checkbox"/> RAL RAL# color (Refer to color chart)
	<input type="checkbox"/> L1W12 <input type="checkbox"/> L1W30	12W 28W	930 1689	80	4000 °K		
 <input type="checkbox"/> PR1255	SUFFIX	INPUT WATTS	DELIVERED LUMENS	CRI	CCT °K		
	<input type="checkbox"/> L1W12 <input type="checkbox"/> L1W30	12W 28W	920 1672	80	4000 °K		

OPTIONS (Refer to page 3 for details)

ELECTRICAL

- DM** 0-10V 120/277V Dimming driver
- EML** 120V/277V Remote Emergency driver
With L1W12 & L1W30 LED sources only
- FS** Fuse
- K3** 3000°K CCT LED
- K3D** 3000°K 97 CRI for critical light color balance
- NR** Narrow light beam distribution

MOUNTING

- CK** Surface ceiling mounting adaptor
- STC** Safety cable
- STM** Factory cut to size stem Max. 12 Ft
- SPG** 36" lg Silver braided power cord with adjustable suspension cable. (Other length on request.)

ACCESSORIES

- BC12** Aluminum lower diffuser band (Same color as luminaire)
- D12** Clear prismatic bottom conical lens
- L12** Clear flat bottom lens
- LB12** Cross blade louver (Same color as luminaire)
- RP2** Inner reflector specular aluminum
Exterior same color as luminaire
- W12** Frosted prismatic diffuser

NOTES

- 1- Luminaires are factory prewired for 120V unless otherwise specified.



OPTIONS

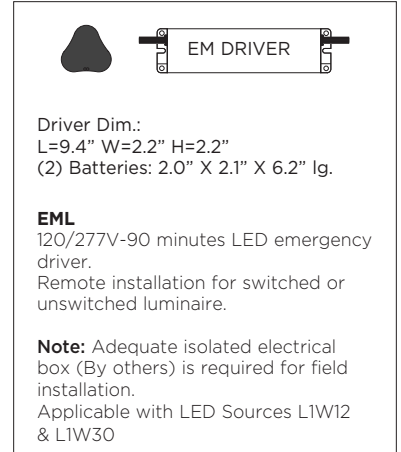
MOUNTING



ACCESSORIES



ELECTRICAL

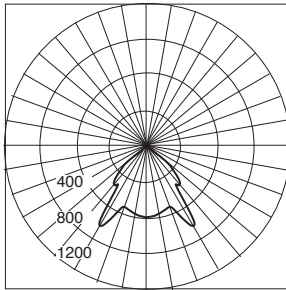


PHOTOMETRY

TYPICAL PHOTOMETRY SUMMARY

Please visit our web site www.luminis.com for complete I.E.S formatted download data.

Wide beam

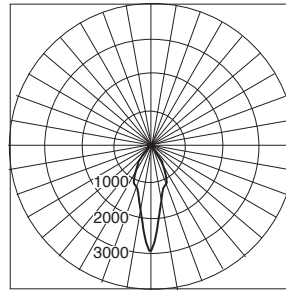


Indoor report Polar graph
Maximum Candela = 989

Descriptive Information
Total delivered lumens
1689 Lumens
Input watts at 120V: 28 W
S/MH = 1.4
Source: LED

PR1250-L1W30
Acrylic prismatic
reflector

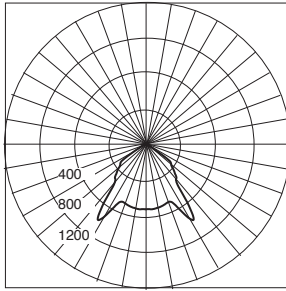
Narrow beam



Indoor report Polar graph
Maximum Candela = 2940

Descriptive Information
Total delivered lumens
1413 Lumens
Input watts at 120V: 28 W
S/MH = 0.4
Source: LED

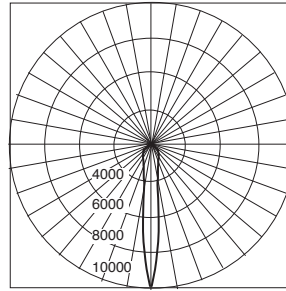
PR1250-L1W30-NR
Acrylic prismatic
reflector



Indoor report Polar graph
Maximum Candela = 917

Descriptive Information
Total delivered lumens
1672 Lumens
Input watts
at 120V: 28 W
S/MH = 1.5
Source: LED

PR1255-L1W30
Specular aluminum
faceted reflector



Indoor report Polar graph
Maximum Candela = 10203

Descriptive Information
Total delivered lumens
1342 Lumens
Input watts at 120V: 28 W
S/MH = 0.1
Source: LED

PR1255-L1W30-NR
Specular aluminum
faceted reflector