

SOLERA™ AL

SOLID STATE AREA LIGHT LIGHTING

SOLERA AL solid state LED fixtures are designed and constructed to provide energy efficiency, zero maintenance and precise optical control in area light, parking lot and other commercial or industrial lighting applications. Solera AL fixtures are a direct retrofit or substitution for 70-250w HPS or Metal Halide systems.

AVAILABLE MODELS

For maximum application flexibility, Solera AL fixtures are available at six wattage / lumen performance levels. Models AL- 4He, 5He and 7He are designed to maximize lumens per watt efficacy to meet energy management goals, incentives etc. Models AL-4e, 7e and 12e are designed to achieve economical fixture cost for faster payback cycles while maintaining efficiency standards.

L70 LIFE SPAN

Solera fixtures are certified lab tested to determine L70 lifespan projections using LM-80 and 45C in-situ test data. i

OPTICS

Patented interchangeable optic modules provide standard and custom modified IES distribution types. All Solera fixtures are IDA Dark Sky compliant. Optic components are UV resistant high impact PMMA.

ELECTRICAL

The Solera AL fixture input voltage is auto ranging 90-305VAC 50/60Hz. The power supply is over voltage protected and fully compliant with US and international standards. The power supply features tool-less removal and replacement.

CONSTRUCTION

All Solera fixtures are IP-66 rated and are constructed using 6063 aluminum for heat sink extrusions, castings and other structural and exposed components. The fixture finish is adhesion and salt spray tested powder coat available in a range of standard and optional colors.

MOUNTING

Solera fixtures feature multiple pole / boom options all with single tool mounting.

LISTINGS AND COMPLIANCE

Solera fixtures are ETL / CETL / EU-ETL listed and CE / RoHS certified. Solera fixtures exceed ARRAmerican made standards. Fixtures and components meet or exceed additional standards and compliances. See specification data for details.

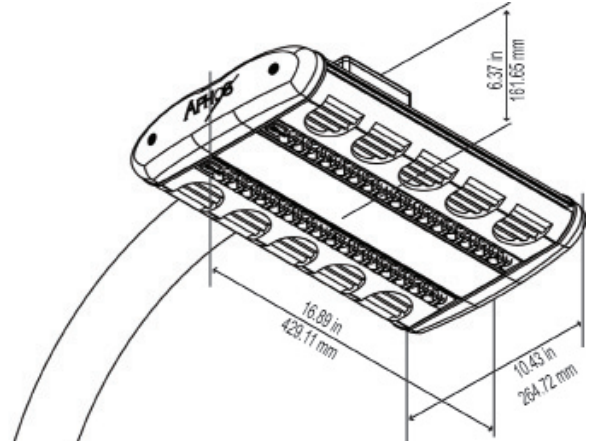
WARRANTY

Standard fixture and LED/PCB warranty is 7 years. Standard power supply warranty is 5 years.

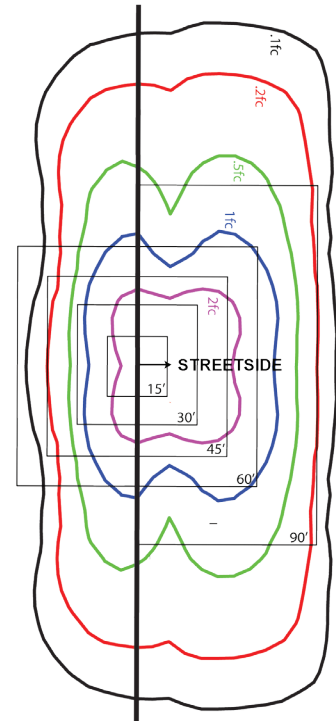
See Fixture Specification Sheet For Additional Details

FEATURES and BENEFITS

- ▶ Patented thermal design features convection air flow cooling for enhanced performance and lifespan.
- ▶ Patented modular optic design for enhanced FTE (fitted target efficacy) and optical transmission efficiency.
- ▶ Multiple series and models for greater adaptability in any scale of commercial or public projects.
- ▶ Meets or exceeds high efficacy standards for compliance with energy management initiatives, incentives and rebate programs.
- ▶ 18lb fixture weight with easy fixture mounting to minimize labor for retrofits or new construction.



Typical Solera photometric performance using Transverse Mounted Type III-M optics.



APHOS LIGHTING LLC
SOLERA-RW-12e-3M-65K
ITL Report 64881 LM-79

Lumens Per Lamp = 9544
Total Lamp Lumens = 9544
Mounting Height = 20.00 Ft
Maximum Calculated Value = 3.36 Fc
Arrangement: Single
Arm Length = 8 Ft



SOLERA AL Spec. V6.0
©2011 Aphos Lighting LLC

Ph. 469 814 8058
Fax. 469 814 8065
1420 Valwood Parkway Ste. 209
Carrollton TX 75006
www.aphoslighting.com

PROJECT:
DATE:
SCHEDULE ID:
APPROVAL:

SOLERA™ AL

SOLID STATE AREA LIGHT LIGHTING

SOLERA AL PART NUMBER SPECIFICATION									
S-AL									
Solera AL	Model	Distribution Type	Color Temp.	Dimming	Mount	Photo Sensor Control*	Occupancy Sensor Control*	Fixture Color	Surge Protection*
	4e	2M - Type 2 Med	43 - 4300K	DIM - Dimming Circuit Wired	RD - Round 2.375in / 60.2mm OD Tenon Receiver	PSR - Photo Sensor Receptacle Installed	OCC - Occupancy Sensor Installed**	WW - White/White	S - Standard 4kV / 10 - 10kV
	4He	A2S - Asymmetric Type 2 Short	55 - 5500K			X - No PSR Installed	X - No OCC Installed	WS - White / Silver	
	5He	3M - Type 3 Med		X - No Dimming Circuit Wired				BB - Black / Black	
	7e	5SVS - Type 5 Sq. Very Short						BS - Black / Silver	
	7He	5SS - Type 5 Sq Short						BZ - Arch. Bronze	
	12e	5SM - Type 5 Sq. Med.							

* Refer to current price guide for optional accessory pricing.

** Refer to Occupancy Sensor data sheet for sensor coverage options and specification part numbers. Include sensor part number to this specification.

MODEL	Nom. Watts	LED Qty.	Nom. mA	L70 @ 25C	L70 @ 45C	CRI / CCT	Lms.	Fixture Watts	Lms/W
AL-4e	50	16	.700	>130K Hrs	>100K Hrs	75CRI - 4300K/5500K/6500K	3338	49.6	67.3
AL-4 He	50	32	.350	>200K Hrs	>174K Hrs	75CRI - 4300K/5500K/6500K	3555	46	77.3
AL-5He	50	32	.500	>168K Hrs	>130K Hrs	75CRI - 4300K/5500K/6500K	4524	45.9	98.6
AL-7e	75	32	.700	>130K Hrs	>100K Hrs	75CRI - 4300K/5500K/6500K	6676	71.6	93.2
AL-7 He	75	64	.350	>200K Hrs	>174K Hrs	75CRI - 4300K/5500K/6500K	7109	73.4	96.8
AL-12e	120	64	.550	>150K Hrs	>115K Hrs	75CRI - 4300K/5500K/6500K	10167	105	96.8

Wattage and Lumen performance based on Type 5SM certified lab LM-79 report. L70 ratings are projections based on certified lab 45C in-situ and LM-80 data.

AL-4 / AL-5 / AL-7 / AL-12 SPECIFICATIONS			
Input Voltage	Auto ranging 90-305VAC	IDA Dark Sky Compliance	Standard
Mounting Type	Round Pole - 2.375in / 60.2mm OD	Heat Sink / Fixture Housing	6063 Aluminum
Power Factor	Minimum 0.90	Powder Coat Fixture Finish	Adhesion Tested to ISO 2409 / ASTM D 3359 10K Hr. Salt Spray Tested to ASTM B 117
Mount Configurations	Refer to Solera Mount Bracket Spec. Sheet		
Ingress Protection Rating	IP 65	Measured EPA	≤ .20
Ambient Temp. Operational Range	-40°C to +45°C	Manufacturing Compliance	ARRA Buy American
North American Fixture Listing	ETL / CETL	Recycled Fixture Content	Exceeds 50%
International Fixture Listings	EU-ETL / CE	Environmental Listings	RoHS Compliant

POWER SUPPLY STANDARDS & PROTECTION			
Transient Voltage Protection - ANSI/IEEE C62.41 Class A		Additional EMS Standards	
EMI - EN 55015	Surge Immunity - EN 61000 4-5	EN 61000 3-3 / EN 61000 4-2 / EN 61000 4-3 / EN 61000 4-8 /	
Harmonic Emission - EN 61000 3-2	RF Disturbance - EN 61000 4-6	Circuit Protection (Auto Recovery) : Over Voltage / Over Temp / Circuit Short	



SOLERA AL Spec. V6.0
 ©2011 Aphos Lighting LLC

Ph. 469 814 8058
 Fax. 469 814 8065
 1420 Valwood Parkway Ste. 209
 Carrollton TX 75006
www.aphoslighting.com